

This 7 Series model fits a 1 US quart factory packed round container and comprises the following parts:

- 36 inch clear conductive PVC hose
- 1870 coupling (OMP2506-3 equivalent)
- Stowage point for protection of 1870 coupling
- 1997 sight-glass/air bleed valve
- 1600 filter element (2 micron beta 200 absolute)
- Stability base
- 'FOKKER 50/60/70/100 MIL-L-7808' and 'MIL-L-23699 ENGINE, I.D.G & A.P.U' fluid identification plates



(Assembly shown with packing tube in place of oil can)

The special 2 micron (Beta 200 rated) filter elements fitted to Risbridger equipment dispense filtered fluids to a cleanliness level of DefStan 05/42 (better than 400F or ISO 4406 Class 11/7)

**Improve reliability and service life of your aircraft engines and components. Using our quick disconnect couplings and high level filtration you will protect the fluid**

- Cans of oil are fitted to the pump before opening, preventing contamination of contents
- Integral can opener and suction pipe
- 'Stowage nose' for 1870 couplings - keeps hose tidy, prevents damage to coupling
- Available for many fluid/aircraft/system types
- Integral 'No Filter - No Flow' safety valve
- Stability base prevents toggle straps collapsing the can and improves sealing

Applicable to the following aircraft models:  
**Fokker 50, 60, 70 and 100.**

#### Materials:

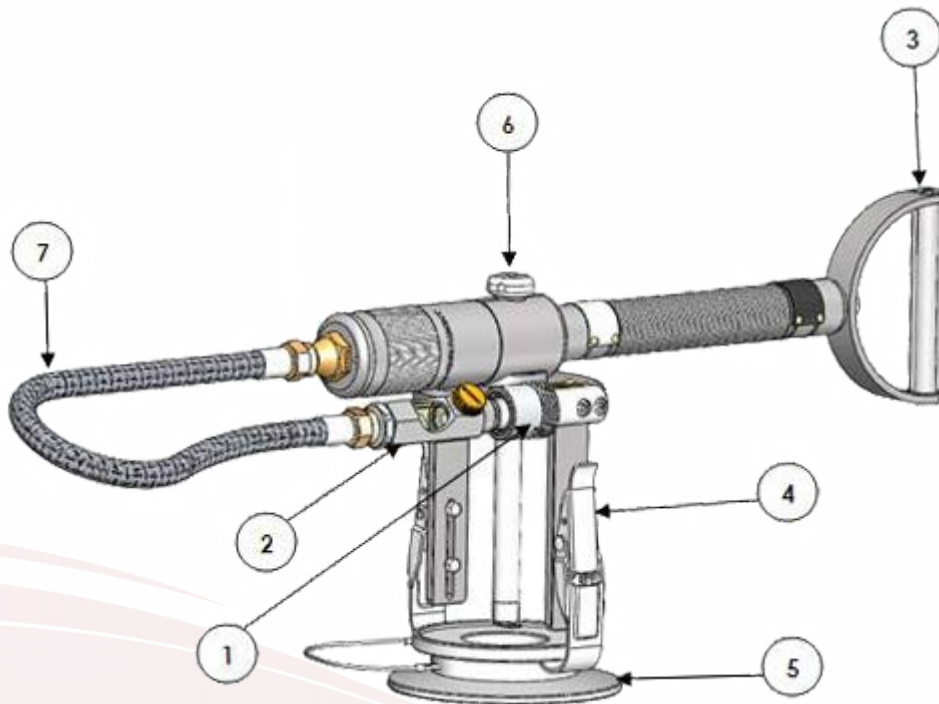
Anodised aluminium  
Acetal-homopolymer  
Zinc plated steel  
Stainless steel  
Brass

#### Suitable for:

Engine oils  
(clear conductive PVC hoses)

#### Document Ref:

DATA-1991-150520



### SPARES PART NUMBERS:

Item No	Risbridger Stock Code	Description
1	1870COUPLING	Coupling (OMP2506-3 Equivalent) — Viton™ Seals
	1871	Dust Plug (OMP2506-5 Equivalent) — Viton™ Seals — Not Shown
2	1997	Sight Glass/Bleed Valve Assembly
	1600FILTER	Filter Element (2 Micron Beta 200) — Viton™ Seals — Not Shown
3	UZ7/1	Piston Rod, Handle and Cylinder Assembly
	UZ7/5	Seal Kit c/w Valve (Non Shut-Off and Shut-Off T/P) — Not Shown
4	786/9	Toggles and Straps Only
5	STABILITY-BASE	Stability Base Kit for 7 Series Pumps
6	UZ/E/06	Suction Pipe and Knob (Quart)
7	PC852	36in Clear Conductive PVC Hose
	PC853	54in Clear Conductive PVC Hose
	PC851	72in Clear Conductive PVC Hose

#### Pump Volume Rating:

1 US quart - 28 strokes  
 1 litre - 30 strokes  
 2 cu in/33cc/33ml - 1 stroke

#### Temperature Range:

Engine Oil pumps with clear hose:  
 -20°C to +65°C

Mineral Hydraulic pumps with  
 clear/black hose: -20°C to +65°C

#### Manufacturers NCAGE Code:

K6057