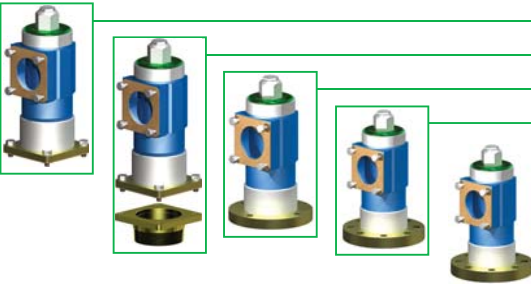


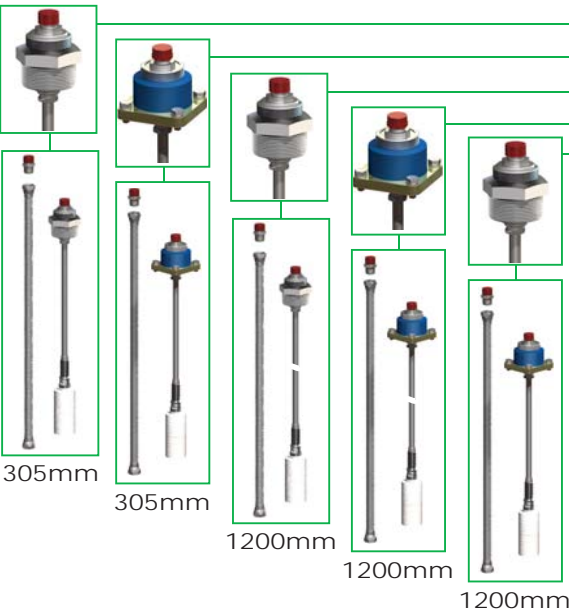
# Risbridger

Quality Engineering Solutions

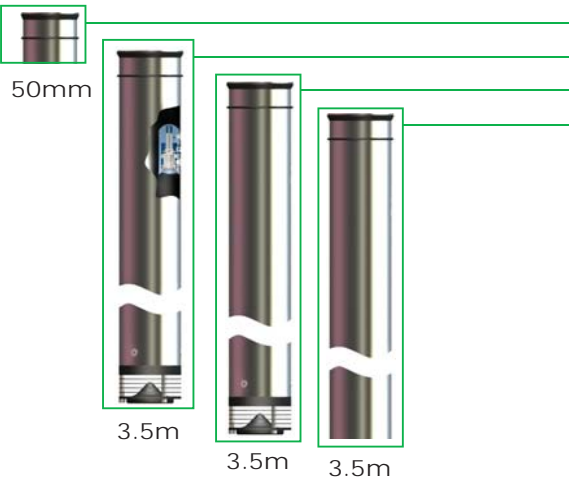
RIS-STOP-3GF-XXXX



VALVE	
4" flanged base	F
4" BSPT threaded base	T
ANSI 150 flanged base	1
ANSI 300 flanged base	2
ANSI 150 DN100 flanged base	3

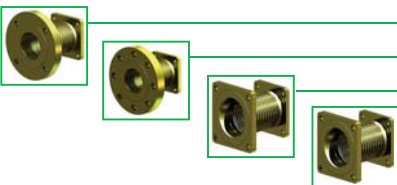


FLOAT	
2" BSPT threaded with 305mm float tube	1
2" flanged with 305mm float tube	2
2" BSPT threaded with 1200mm float tube	3
2" flanged with 1200mm float tube	4
2" BSPT threaded, 1200mm float tube, 1m hose	5



DROP TUBE	
None supplied - <b>HOWEVER ONE MUST BE FITTED</b>	0
50mm drop tube stub - * <b>SPECIAL APPLICATIONS ONLY</b>	1
3.5m drop tube with ATV and diffuser	2
3.5m drop tube and diffuser	3
3.5m drop tube	4

\* **SPECIAL APPLICATIONS ONLY:-**  
Where a 'fixed' (i.e. non-removeable) drop tube exists inside the tank, this stub must be included, as a spacer/retainer for internal parts of the valve module



FLEXIBLE CONNECTORS	
None	0
ANSI 150 to 3" flex	1
ANSI 300 to 3" flex	2
4" to 3" flex	3
3" to 3" flex	4

**PLEASE NOTE:**  
IN ORDER FOR THIS PRODUCT TO OPERATE  
A FLOAT KIT AND DROP TUBE **MUST** BE FITTED

Your code **RIS-STOP-3GF-**

MATRIX-RIS-STOP-3GF-151125